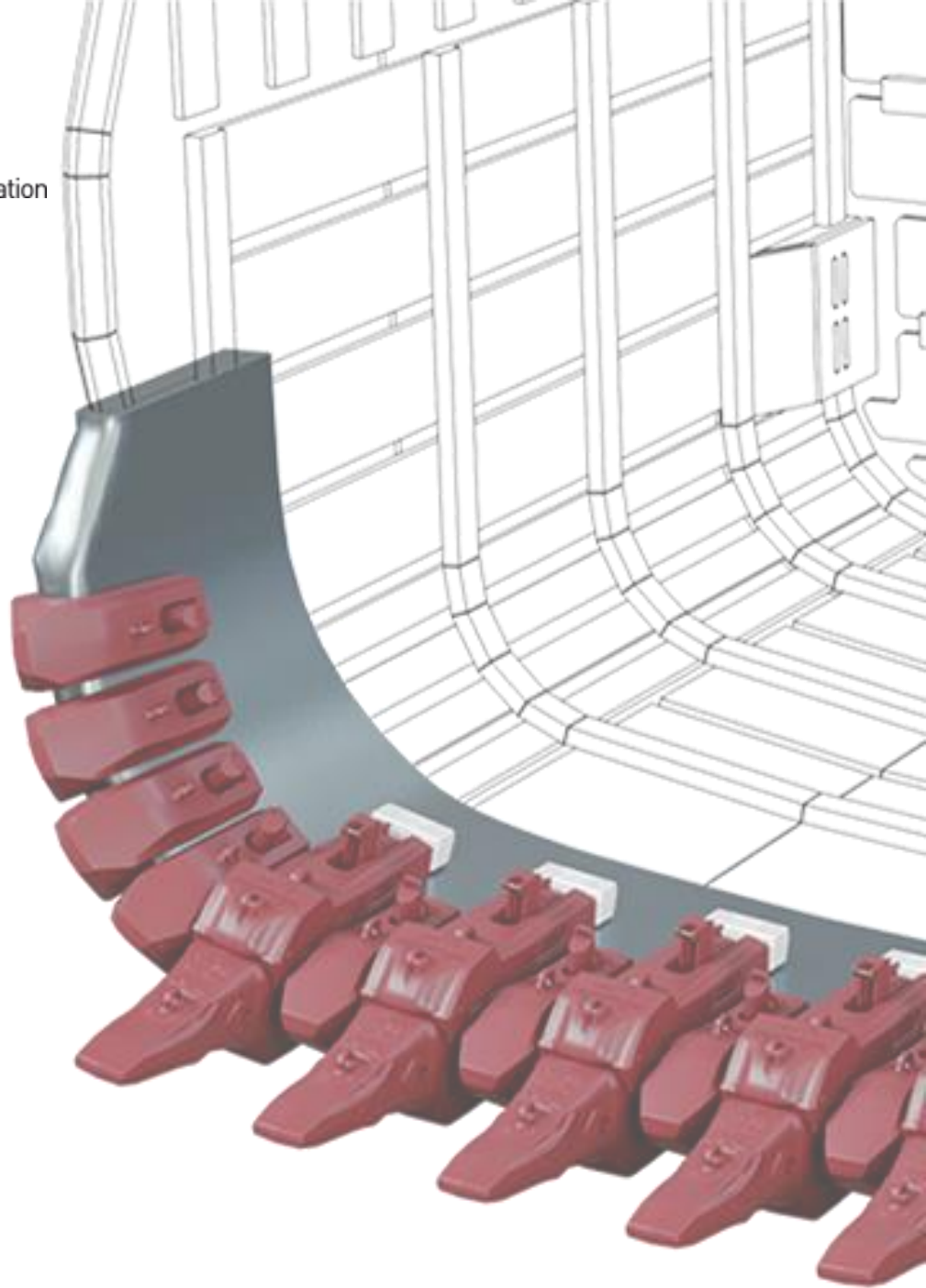




MTG

No limits innovation



INS.2.6.4

Hammerless 3-part RH Adapter Locking

Installation procedure

DISCLAIMER

© MTG, all rights reserved

The brands identified with an asterisk do not belong to METALOGENIA S.A. and this organization refers to them only to identify the destination of its products, without there being any relationship between METALOGENIA S.A. and the legitimate owners of any such brands.

Copy right: It is strictly forbidden for any person not belonging to MTG to distribute all or any part of the material set out in this document unless they are authorized to do so.

Liability: To ensure the correct use and handling of the MTG products without risk, please carefully read the corresponding service instructions set out on the MTG website. MTG will not be held liable for damages, loss, injury, or death arising from incorrect use or failure to heed the provisions of this guide. Similarly, MTG will not be held liable for damages caused due to the faulty installation or handling of its products. MTG likewise declines all liability for recommendations related to the use or handling of MTG products set out in documents not expressly authorized by MTG.

1. SAFETY

The practices described in this manual can be taken as guidelines for operating safely in many conditions and in addition to the safety standards that are current and enforceable in your area or region.

Your safety and the safety of third parties is the result of putting into practice your knowledge of the correct operational procedures.

Attention, when performing the work described in these instructions, always work safely and use the personal protection elements required to minimize or avoid injury. Always wear:



To avoid eye injury, always wear safety goggles or a protective mask when using any equipment, hammer or similar tool. When equipment is under pressure or when objects are struck, chips or other debris can be thrown out. Make sure no one gets hurt by the debris that is fired before applying pressure or hitting an object. Wear eye protection that complies with ANSI Z87.1 and OSHA standards. Also wear hearing protection and gloves.

Lifting a heavy object can cause serious or fatal injury. DO NOT exceed the maximum rated capacity of lifting and positioning devices: Stay away from the area under a suspended load.



LIFTING LUG

Make sure that the chain is not damaged and that the load is always balanced.

2. RELEVANT INFORMATION

The following instructions are a generic procedure for all MTG adapters for cable shovels, independent from the lip standard (WH/BK), the size of the adapter and its tooth system.

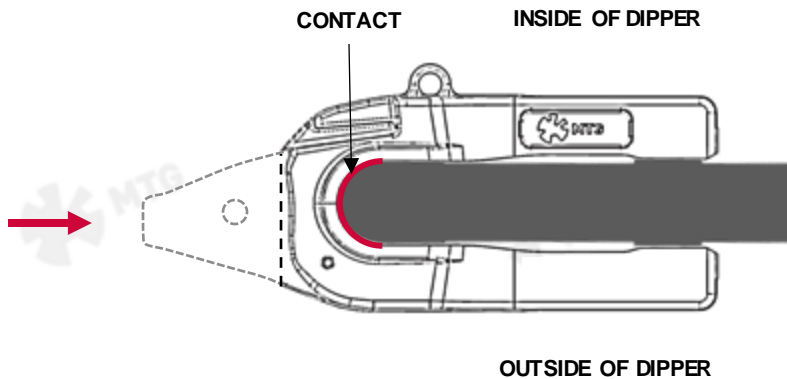
The images contained in this procedure may not correspond to the model used in each case.

3. INSTALLATION PROCEDURE

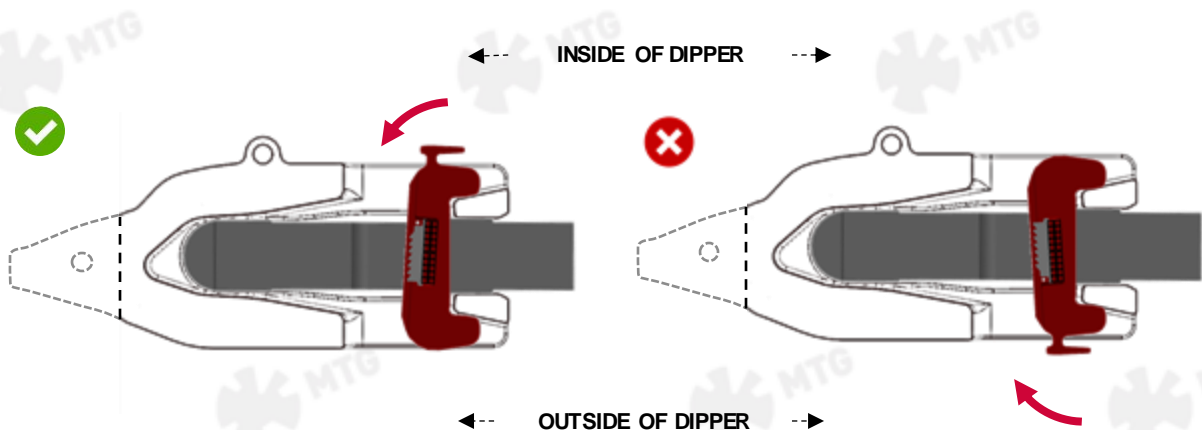
CAUTION: The installation of MTG products for cable shovels may require welding and/or grinding of the existing lip to return it to its original geometry and thus ensure proper tightening and performance.

To perform the reconstruction/recalibration of lips, it is mandatory to follow the MTG reparation instructions for rope shovels which describe the proper procedures for recovering the lip geometry by using MTG gauges. Please contact technical.services@mtg.es for further information.

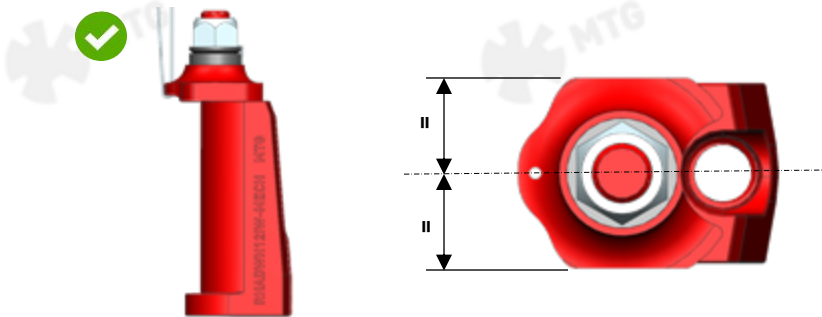
3.1 Place the adapter on its station assuring contact on the curved edge of the lip.



3.2 Introduce the C-Clamp in the proper position. Always with the handle from the **inside of the dipper**.

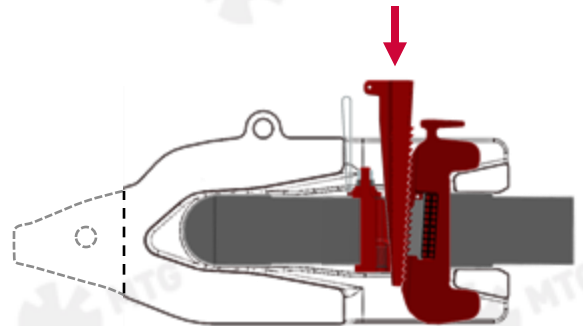
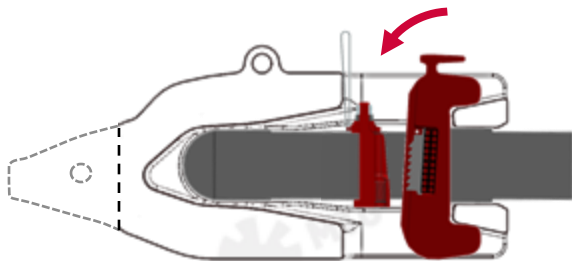


3.3 The IW (inverted wedge) is supplied properly assembled and torqued. However, if for any reason it has been manipulated or disassembled, the nut must be reassembled and retightened to a torque of 200 Nm (147 lb · ft). Impact socket size hex. 36mm (17/16 inch)



3.4 Insert the inverted wedge into its position.

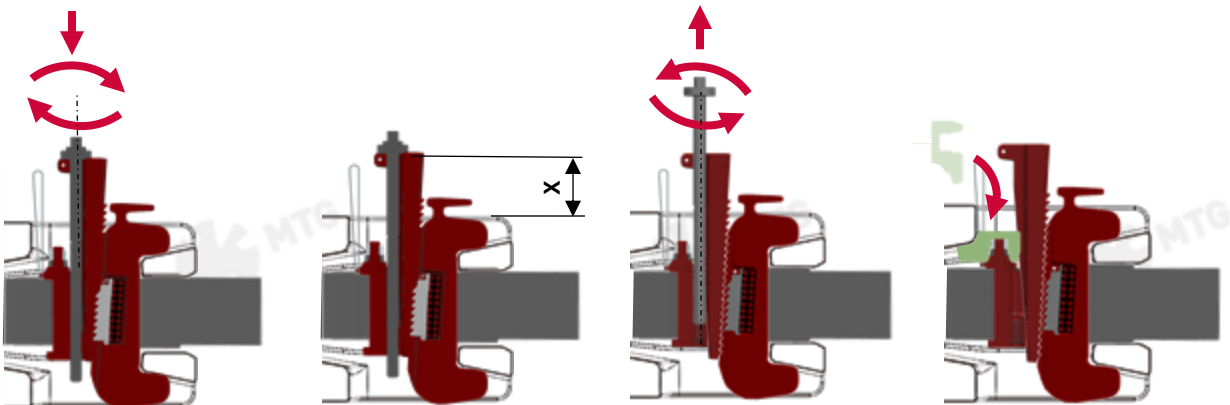
3.5 Insert wedge (size 1) into its housing, matching analog faces.



3.6 Finally, insert the mounting bolt (tool) and screw it with an impact gun up to a torque of 1100 Nm/812 lb-ft. Use socket size hex. 22mm (7/8inch).

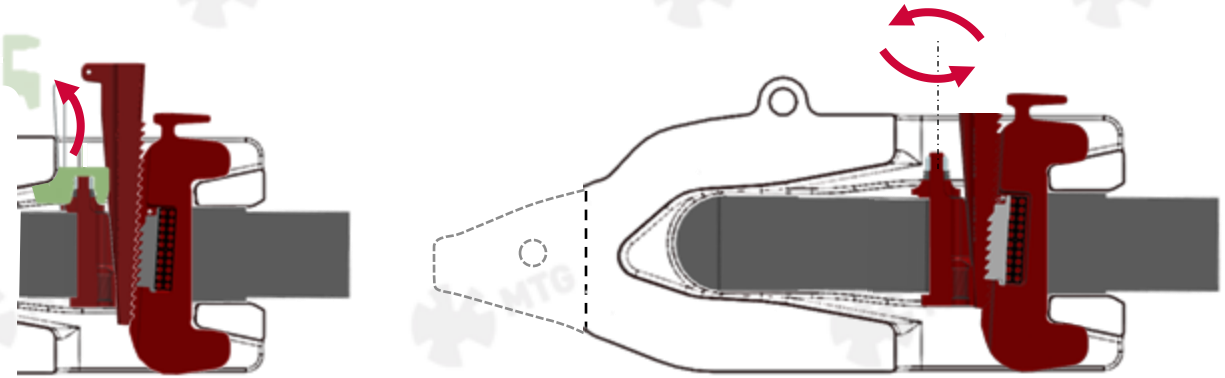
When the mounting bolt and wedge does not go down anymore, unscrew the mounting bolt and remove it from the assembly.

After installation, the wedge should protrude [X] between 100mm - 140mm (4 inches – 5.5 inches). If the wedge protrudes more than 140mm (5.5 inches) from the adapter, the assembly is not satisfactory. On the other hand, if the wedge protrudes less than 50mm (2inches), the size 2 wedge (oversize) must be installed. Insert the cap.

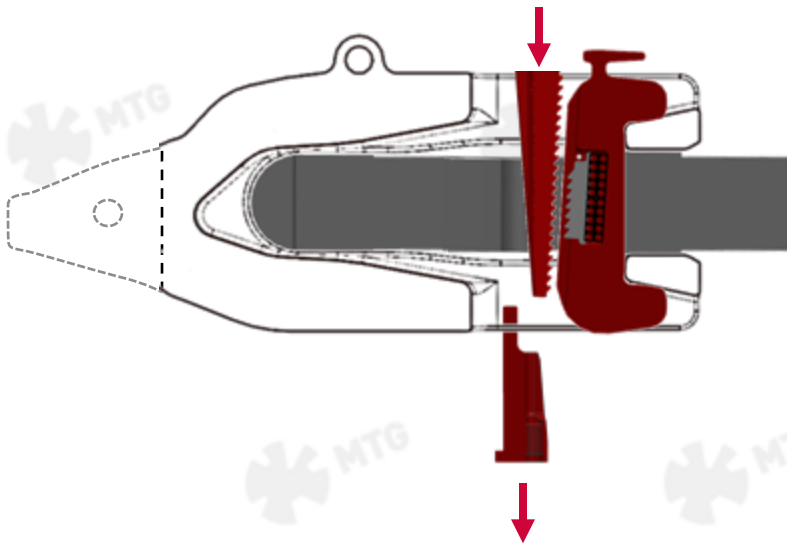


4. REMOVAL PROCEDURE

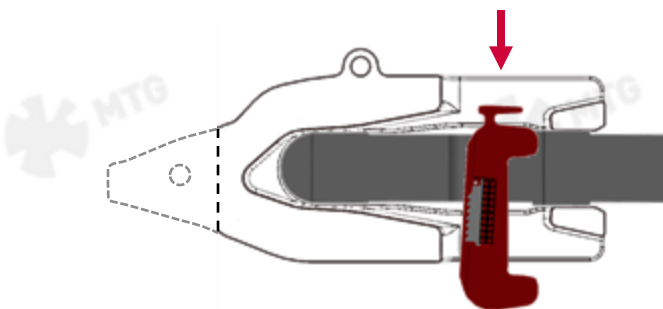
- 4.1** Remove the cap and clean the space between the wedge and the adapter until the removal nut is visible. Then, unscrew the nut of inverted wedge using an impact gun. Impact socket size hex. 36mm (1 17/16 inch).



- 4.2** Remove the nut and the inverted wedge's plate. Then, slightly hit the inverted wedge top surface until it falls through the hole. After that, the wedge and the c-clamp will collapse too.



- 4.3** If the C-clamp does not fall on previous step, it can be pushed through the hole. Then the adapter can be removed.





Service Instructions

The latest welding recommendations and assembly / disassembly instructions can be found online:

www.mtgcorp.com/manuals

Please contact Technical Services in case of questions:

technical.services@mtg.es



MTG HEADQUARTERS

Carrer d'Àvila, 45
08005 Barcelona (Spain)
(+34) 93 741 70 00
info@mtg.es

MTG NORTH AMERICA

4740 Consulate Plaza Drive
Houston, TX 77032 (USA)
+1 (281) 872 1500
info@mtgcorp.us

MTG AUSTRALIA

16 – 18 Thorpe Close
Welshpool, WA, 6106 (AUS)
+61 8 6248 6513
Info.australia@mtg.es